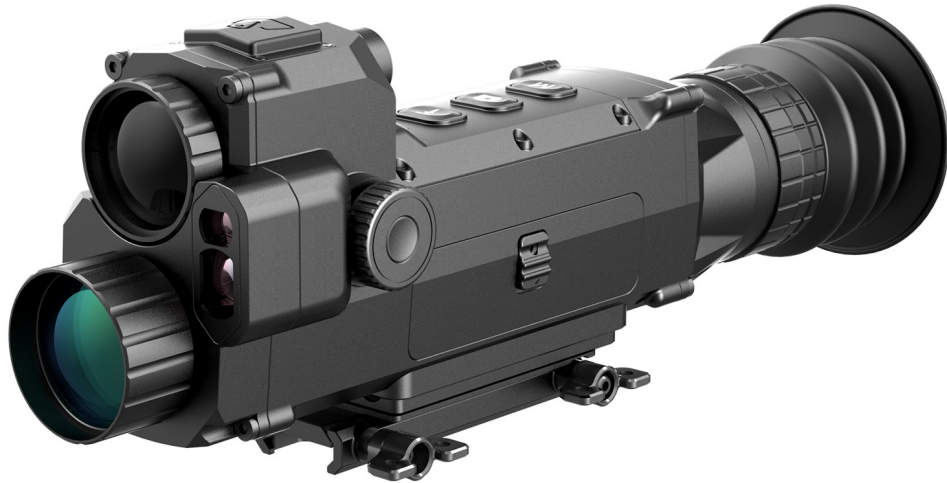


From its practical applications to its potential future developments, it is a field that is worth exploring in greater detail [advanced night vision rifle scope for tactical use](#).

In the realm of tactical operations, the **advanced night vision rifle scope for tactical use** has become an indispensable tool. These sophisticated devices have evolved significantly, providing enhanced visibility and accuracy in low-light conditions. This article delves into the latest advancements in night vision rifle scopes, offering a comprehensive understanding for tactical professionals worldwide.



## Understanding Night Vision Technology

Night vision technology has come a long way since its inception. Initially developed for military use, it has now found applications in various fields, including law enforcement and hunting. But what exactly makes an *advanced night vision rifle scope for tactical use* so effective?

"Night vision devices amplify available light, allowing users to see in near-total darkness. This capability is crucial for tactical operations conducted under the cover of night."

Modern night vision scopes utilize image intensification technology, which collects and amplifies ambient light. This light is then converted into an electronic signal, producing a clear image even in the darkest environments.

## Key Features of Advanced Night Vision Rifle Scopes

When selecting an **advanced night vision rifle scope for tactical use**, several features are paramount:

- **Resolution:** High-resolution scopes provide clearer images, essential for identifying targets accurately.
- **Range:** The effective range of the scope determines how far you can see in the dark.
- **Durability:** Tactical scopes must withstand harsh conditions, including extreme temperatures and rough handling.
- **Battery Life:** Long battery life ensures the scope remains operational during extended missions.

## Latest Innovations in Night Vision Scopes

Recent advancements have introduced several cutting-edge features to night vision rifle scopes:

1. **Thermal Imaging:** Some scopes now combine night vision with thermal imaging, allowing users to detect heat signatures.
2. **Digital Night Vision:** Digital scopes offer enhanced image processing, providing clearer and more detailed visuals.

3. **Wireless Connectivity:** Modern scopes can connect to smartphones and tablets, enabling real-time image sharing and analysis.

For instance, the [ATN X-Sight 4K Pro](#) is a popular choice among tactical professionals. It features ultra-HD sensor technology and a ballistic calculator, making it one of the most advanced night vision rifle scopes available.

## Choosing the Right Night Vision Scope for Tactical Use

When selecting an **advanced night vision rifle scope for tactical use**, consider the following:

- **Purpose:** Determine whether you need the scope for surveillance, hunting, or combat.
- **Budget:** High-end scopes offer more features but come at a higher cost. Balance your needs with your budget.
- **Compatibility:** Ensure the scope is compatible with your rifle and other tactical gear.

Ultimately, the right scope enhances your operational effectiveness, providing a tactical advantage in low-light scenarios.

## Conclusion

The **advanced night vision rifle scope for tactical use** is a game-changer for professionals operating in low-light conditions. With continuous advancements in technology, these devices are becoming more sophisticated, offering unparalleled visibility and accuracy. Whether you're in law enforcement, the military, or a dedicated hunter, investing in a high-quality night vision scope can significantly enhance your capabilities.

For more information, check out this [video review](#) of the latest night vision scopes.

## References

- [advanced night vision rifle scope for tactical use](#)

Your browser does not support the video tag.